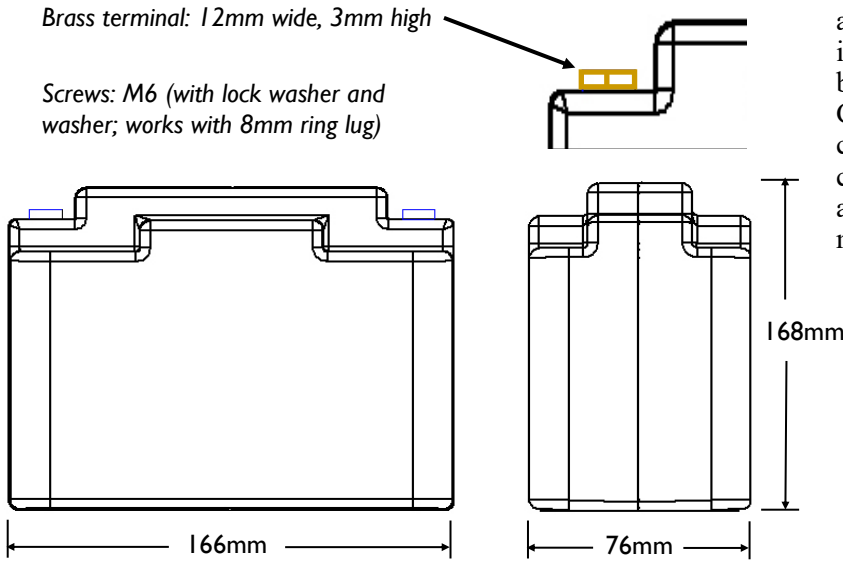


ETX-Series Lithium Batteries ETX900-TSO

DIMENSIONS



The ETX900-TSO battery model is designed and eligible for in cabin or engine compartment installations for 14V charging systems. This battery is engineered and manufactured in Colorado, USA with Lithium Iron Phosphate cells, one of the most robust and safest chemistry available today. It is 5.4 pounds and with a higher resting voltage, you receive more reliable and stable starts.



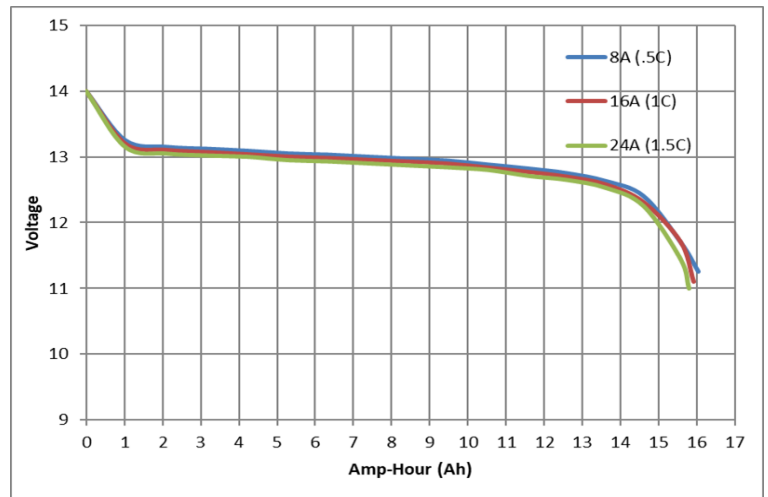
SPECIFICATIONS

Specifications

Voltage	13.2V
Capacity(1C, 1 hour at 23 °C)	15.6Ah (See charts)
Capacity vs Temperature	25 °C = 15.6Ah 0°C = 15.3Ah -30°C = 15Ah
Peak Power (Ipp), 23/-18 °C	800A / 390A
Rated Power (Ipr), 23/-18 °C	600A / 365A
Life Expectancy (not Life Limited)	6 Years (average)
Weight	5.4 lb. (2.4Kg)
Dimensions	6.5 in (L) x 3 in (W) x 6.6 in (H); 166mm(L) x 76mm (W) x 168mm (H)
Shelf Life	1 year (without charging)
Warranty	2 year full coverage
Communications	Built-in LED Indicator or Remote connection to EFIS or LED light on panel
Certification	FAA TSO C179b (Class A-3B) RTCA DO-311A RTCA DO-160G DO-254 UN 38.3

Discharge Characteristics

Discharge Ah (multiple discharge rates)



Discharge Minutes (multiple discharge rates)

